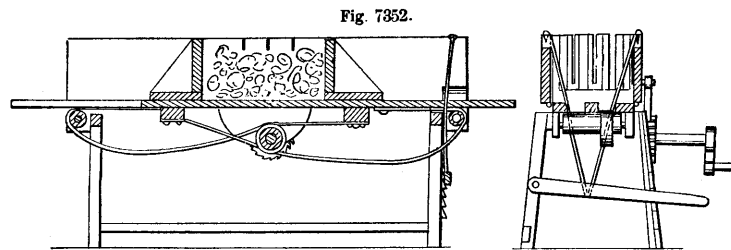


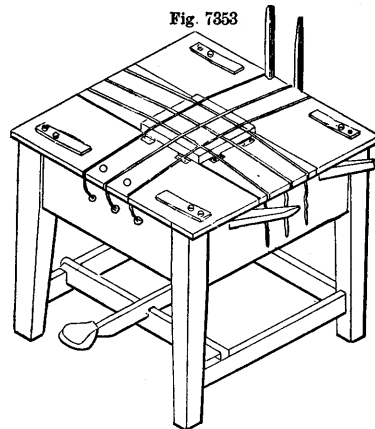
**Wool-pack'er.** A machine for compressing and tying fleeces. There are several forms.

In Fig. 7351, the tie-cords are hitched to the catches at the edge of the concave bed, and pass under the wool and through



*Wool-Press.*

the revolving blades on the cleansing cylinder, and clear them of adhering particles of wool. The floor is slotted to permit the dirt separated from the wool to pass down into the apart-



*Wool-Packing Table.*