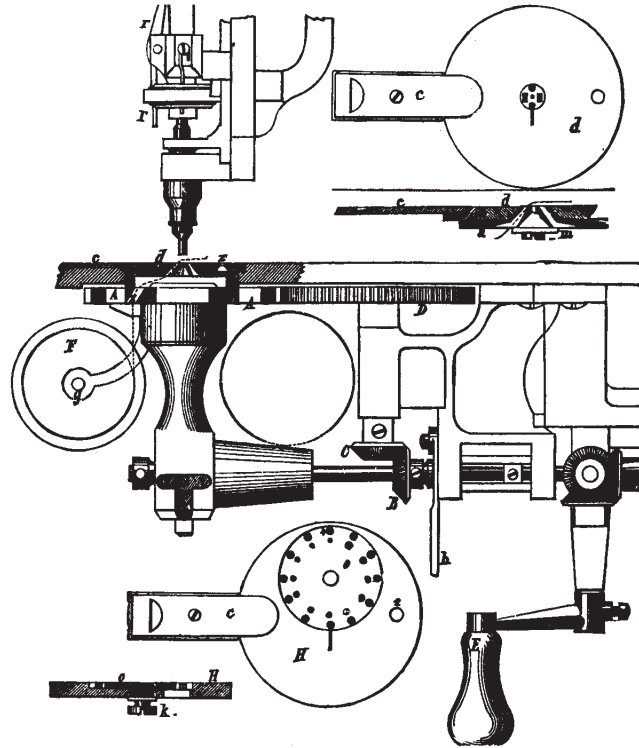


combined with the latter a braiding apparatus which presents the braid to the needle always in the direction of the feed, so that it will stitch it to the cloth in its center.

Fig. 412.



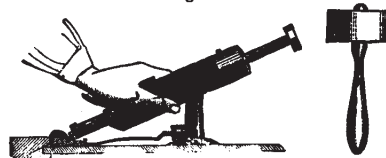
Cornely's Braiding Machine.

The braiding apparatus consists of a braiding disk *a*, which is fitted within the rim or crown of the large wheel *A*. Upon turning the crank handle *E*, the wheels *B*, *C*, *D* turn the wheel *A* and the braiding disk *a*, which presents the braid to the needle always in the direction of the feed.

To use the braiding apparatus a braiding guide must be selected, through which the braid can slide easily. Braiding disks are adapted for the respective sizes of braid.

Withdraw the slide *c*, raise the plate *d* by inserting the curved point of the hook knife into the hole, lift the end of the braid by means of the wire-hook through the slot *Z*, in wheel *A*, and draw it through the braiding guide. Place the spool *F* on its spool-holder, *g*, and the India-rubber washer upon the end of the spool-holder to prevent the spool from sliding off. Set the braiding disk *a* upon the rim of the wheel *A* and in such a manner that its projection *m* enters into one of the recesses of said rim.

Fig. 413.



Thorndike's Brad Driver.

It is very important that the guide from which the braid issues should always be in a true radial line with the feed lever *r* of the machine, and that the braid should fit nicely in said guide, or else it will not be stitched in its center; it should, however, not be too tight in the guide, as in that case it would draw and ruffle the material.

In case it should be necessary to adjust the braiding guide it can be done by adjusting the position of the wheel *A*. To accomplish this, raise the lever *h*, and push the wheel *B* to

Braiding Ma-chine'. A machine which sews braid on to cloth. A species of embroidering machine.

Cornely's braiding machine (Paris) is founded upon the Bonnaz embroidering machine, having

the right, thus the wheel *C* becomes free, and the wheel *A* can be turned independently of the crank handle *E*; adjust the braiding disk to its true position, push the wheel *B* against the wheel *C* and lock it by means of the lever *h*.

The braid should always pass from below the spool *F* into the passage *Z*, as shown in dotted lines, and never from above the spool, as it will bear against the side of the passage *Z* and thus draw or ruffle the material.

For embroidering purposes a plate *H*, is supplied with each machine, and is to be used instead of the plate *d*.

To change the needle-hole in plate *o*, loosen the screw *k*, push the disk *o* out of plate *H*, turn it until the needle-hole to be used will be in the center of plate *H*, and push it home into the plate *H*, taking care that the tooth *z* enters one of the notches in the circumference of disk *o*, and tighten the screw *k*.

The *Wheeler & Wilson* new No. 10 sewing-machine is a perfect braider.