

NEW DRAPER LOOM

It is many years since the Draper Corporation, Hopedale, Mass., has offered the textile industry a new model loom. They have kept their E and K, modified D, H, and L model looms, and all new devices and improvements were made to apply to these models, whether new or old. In this way a mill could apply to the looms it had any of the new devices brought out, and keep its weaving up-to-date at minimum cost.

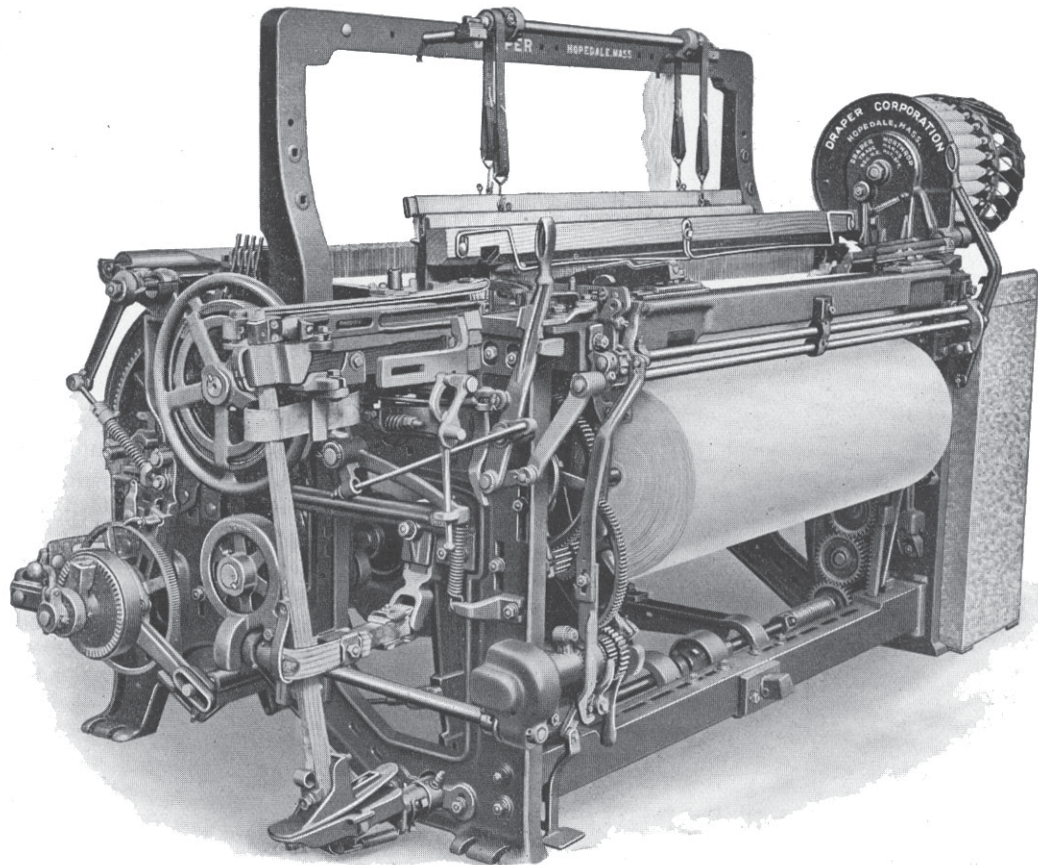
For some time, however, it has been evident to them that many improvements they were working on could not be used to the best advantage without a new model laid out to take them. This new loom has now been placed on the market and is known as Model X. It was shown publicly for the first time at the Greenville textile show in October.

Draper Corporation engineers and experts have been experimenting for a long time to

and the essential requisites of a loom to run at high speed. This 40-inch loom was run at 190 picks in the show. A larger roll of cloth is a present-day demand which this loom meets by taking a roll of cloth of 20½ to 22 inches.

—if the mill wants it—and better weaving.

Draper Corporation call particular attention to the following features: A rocker shaft that will not wear out so fast and that can be quickly and economically repaired. A pick shaft less



Model X Draper Loom

The Model X loom has a new type of brake that is positive and quick in action. It has something new in the way of a rocker shaft; in fact it has two short rocker shafts instead of one. The position of the protector rod and daggers has been changed to relieve the strain on the swords. This will materially reduce sword breakage.

The loom has Alemite fittings for greasing and is built with regular bearings or with roller bearings of either Hyatt or SKF type. It has a friction drive clutch without end thrust; a new and improved take-up drive, and a new pick shaft and pick ball. Every provision has been made to give a loom built for higher speed

likely to break and easy to take off and put back. Better frogs that give an easier stop; elimination of sword breakage. The ability to weave full 41" goods on a 40" loom; to use larger rolls of cloth, larger yarn beams and larger shuttles. Anti-friction bearings, Alemite greasing and an improved oiling system. A better bang-off and automobile type of quick-acting brake. A new friction clutch without end thrust; a stronger, stancher frame. A loom that will run successfully at higher speed; it has run at very high speeds experimentally and two mill installations are operating successfully at 190 and 200 picks per minute.